



POWDERED CHEMICAL MAKE-UP SYSTEM (PCP SERIES)

The Powdered Chemical Make-Up System includes one tank, one mixer, one chemical metering pump, and one low level float. The operator simply fills the tank with water, adds a predetermined amount of powdered chemical, allows the solution to mix and turns off the mixer. The chemical metering pump will be controlled by the equipment being fed the chemical.

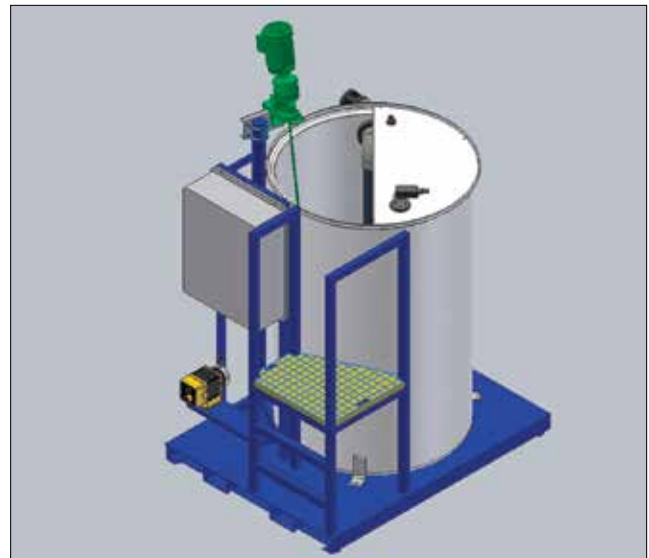
For 50- and 100-gallon models, the mixer and metering pump are mounted to the tank lid. 250- and 500-gallon models include a bridge where the mixer and metering pump are mounted.

Features

- Fully assembled at the factory
- Factory tested
- Units are match marked for ease of reassembly
- Rapid installation assured by skidded assemblies.



PCP-50/100



PCP-250/500

POWDERED CHEMICAL MAKE-UP SYSTEM (PCP SERIES)

Model Number	PCP-50	PCP-100	PCP-250	PCP-500
Number of Tanks	One	One	One	One
Tank Material	HDPE	HDPE	HDPE	HDPE
Tank Volume	50 gal 0.19 m ³	100 gal 0.38 m ³	250 gal 0.95 m ³	500 gal 1.9 m ³
Tank Type	Vertical Cylindrical	Vertical Cylindrical	Vertical Cylindrical	Vertical Cylindrical
Pump Type	Electrical Diaphragm	Electrical Diaphragm	Electrical Diaphragm	Electrical Diaphragm
Mixer Size (HP)	1/20	1/20	1/4	1/3
Mixer Electrical Requirements (Volts/Phase/Amps)	110/1/6	110/1/6	460/3/3	460/3/3
Method of Construction	Tank-Mounted Mixer and Pump	Tank-Mounted Mixer and Pump	Stand-Mounted Mixer and Pump	Stand-Mounted Mixer and Pump
Water Requirements	10 gpm @ 20 psi 2.3 m ³ /h @138 kPa	15 gpm @ 20 psi 3.4 m ³ /h @ 138 kPa	25 gpm @ 20 psi 5.7 m ³ /h @ 138 kPa	50 gpm @ 20 psi 11.4 m ³ /h @ kPa
Dimensions (L x W x H)	26" x 26" x 50" 660 x 660 x 1,270 mm	32" x 32" x 55" 813 x 813 x 1,397 mm	54" x 54" x 73" 1,372 x 1,372 x 1,854 mm	65" x 57" x 92" 1650 x 1450 x 2335 mm
Shipping Weight	84 lbs 38 kg	94 lbs 43 kg	334 lbs 152 kg	525 lbs 238 kg
Operating Weight	501 lbs 227 kg	928 lbs 421 kg	2,419 lbs 1,097 kg	4775 lbs 2166 kg



210 Sixth Avenue, Suite 3300, Pittsburgh, PA 15222

+1 (866) 926-8420 (toll-free) +1 (978) 614-7233 (toll) www.evoqua.com

All information presented herein is believed reliable and in accordance with accepted engineering practices. Evoqua makes no warranties as to the completeness of this information. Users are responsible for evaluating individual product suitability for specific applications. Evoqua assumes no liability whatsoever for any special, indirect or consequential damages arising from the sale, resale or misuse of its products.

© 2019 Evoqua Water Technologies LLC Subject to change without notice PWS-POWDCHEMMU-DS-0719