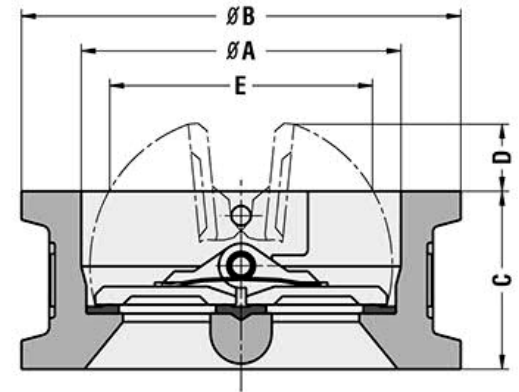
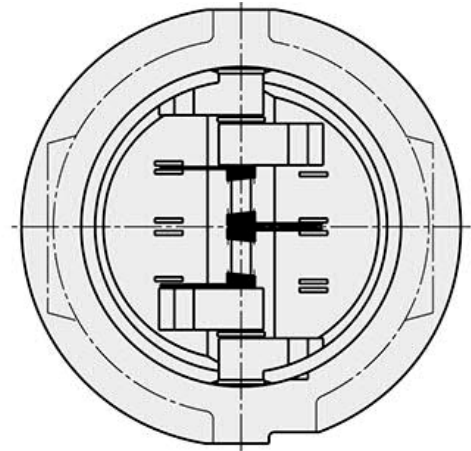
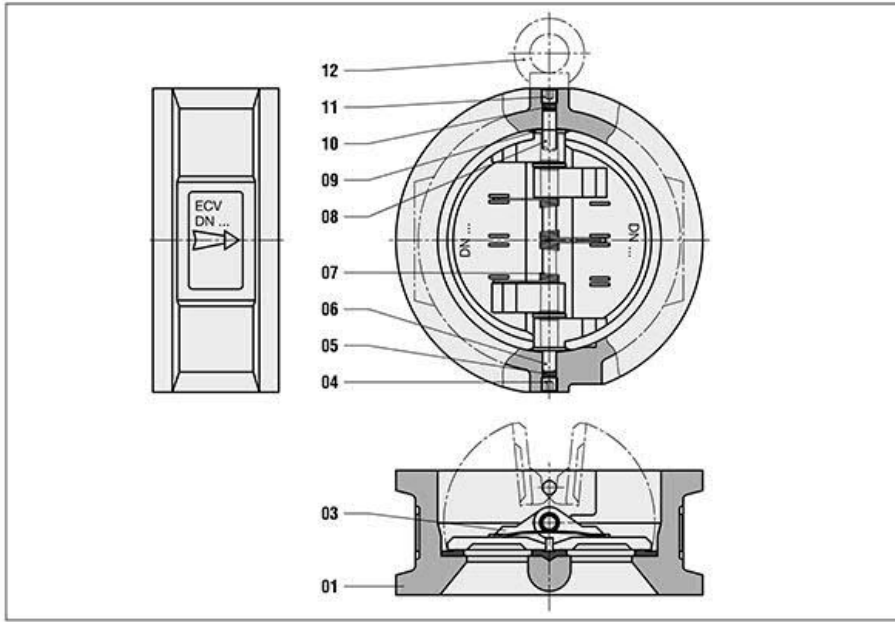


INFLUENT CHECK VALVE



PARTS LIST:

ITEM	DESCRIPTION
01	body rubber seated
03	disc
04	plug
05	sealing ring
06	shaft
07	spring
08	stop pin
09	ring
10	seal
11	plug
12	lifting eye bolt (≥ DN 250/10")



Part #	Size	A		B - Diameter		C		D		E	
		in	mm	in	mm	in	mm	in	mm	in	mm
1002-1542	DN80 - 3"	3.94	100	5.51	140	2.52	64	0.63	16	2.72	69
1001-8100	DN100 - 4"	4.53	115	6.22	158	2.52	64	0.98	25	3.54	90
1001-8118	DN125 - 5"	5.31	135	7.40	188	2.76	70	1.34	34	4.33	110
1001-8101	DN150 - 6"	6.30	160	8.35	212	2.99	76	1.69	43	5.35	136
1001-8102	DN200 - 8"	8.27	210	10.55	268	3.50	89	2.40	61	7.28	185
1001-8103	DN250 - 10"	10.08	256	12.80	325	4.49	114	2.83	72	8.86	225
1001-8104	DN300 - 12"	12.05	306	14.76	375	4.49	114	3.82	97	10.94	278
1001-8106	DN350 - 14"	14.02	356	16.93	430	5.00	127	4.80	122	13.03	331
1001-8176	DN400 - 16"	15.98	406	18.70	475	5.51	140	5.79	147	15.00	381