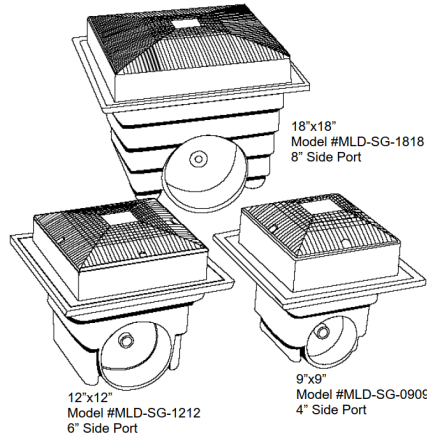


Only Neptune Benson has Lawson Aquatics SuperSump - VGBA-2017 Certified main drain and grates with a super flow rate and a unique top profile design that provides extreme comfort underfoot. Easy to install and no special tools or complicated retrofitting required. Ask your distributor for the number one brand in main drains and grates

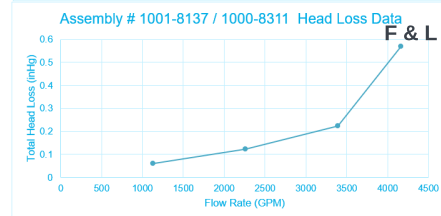
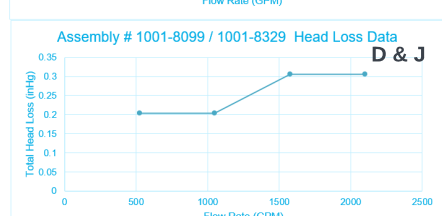
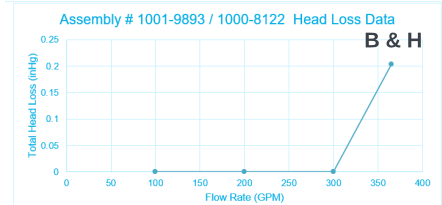
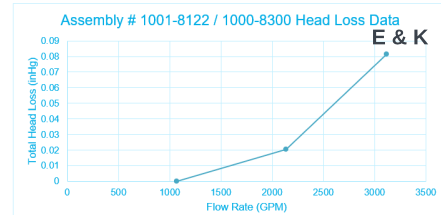
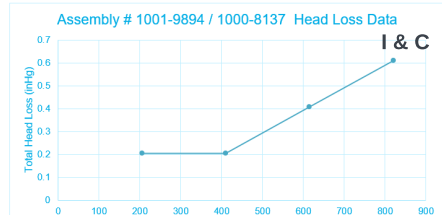
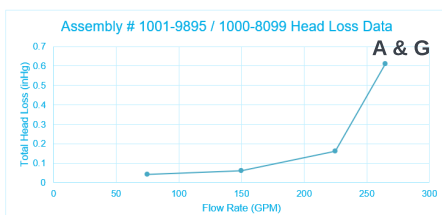
SuperSump



Removes the need for field-built sump certification

- Open grate area of 54% - allowing for a maximum flow rate (see chart)
- Internal plumbing fittings instead of external. Allows stacking and avoids breaking off or cracking during shipment, pressure testing or handling
- 1/3 the cost of fiberglass and 1/4 the cost of stainless steel
- Unique built-in water stop with two vertical extensions. Prevent water passing over the flange
- A solid one-piece, injection-molded unit. Less expensive than fabricated PVC sheets, stainless steel or fiberglass
- Tapered body for strength -allows for water expansion during freezing, and easily stacks to reduce storage space and shipping costs
- Premium hardware stainless steel screws and brass inserts
- 10 year warranty
- Sumps and grates are available in white

MODEL NUMBER	CONNECTION SIZE	FLOOR GPM	WALL GPM	PRESSURE DROP
MLD-SG-0909	4"	237	199	A
MLD-SG-1212	6"	365	340	B
MLD-SG-1818	8"	816	696	C
FI-SG-1836	12"	2,080	1,496	D
FI-SG-1854	14"	3,120	2,244	E
FI-SG-1872	16"	4,160	2,992	F
MLD-FG-0909	4"	261	248	G
MLD-FG-1212	6"	365	340	H
MLD-FG-1818	8"	816	712	I
MLD-FG-1836	N/A	2,080	1,496	J
MLD-FG-1854	N/A	3,120	2,244	K
MLD-FG-1872	N/A	4,160	2,992	L

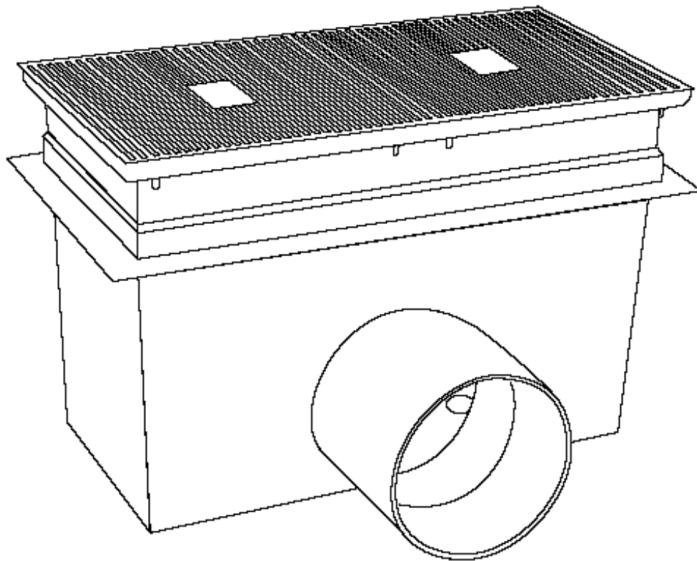


Tested to ANSI/ASME 112.19.82017 per section 1404 of the Virginia Graeme Baker Act VGBA Pool and Spa Safety Act



Certified by NSF International 789 N Dixboro Road Ann Arbor, MI 48113-0140

Technical Data Sheet



FIBERGLASS SUMPS 18X36 18X54 18X72

- For single unblockable drains
- Wall or floor installation
- Asme-2017 compliant (larger sizes available in 18" increments)
- Connections can either be threaded for 8" and smaller, flanged, or couplings
- Plumbing connections are configured and customized to your piping schematics
- Grating available in white
- 10 year warranty

The fiberglass sump is fabricated using 8oz. of fiberglass mat, marine quality resin and colored gel coat. The gel coat is only applied to the inside of the sump. The wall thickness is approximately .19+/- 0.01". 2" FRP waterstop glassed onto sump.

Lawson Aquatics™				
Model Number	SUMP SIZE			MAXIMUM PORT SIZE
	WIDTH	LENGTH	DEPTH	SIZE
FI-SG-183624	18"	36"	24"	6"
FI-SG-183628	18"	36"	28"	10"
FI-SG-183633	18"	36"	33"	12"
FI-SG-185424	18"	54"	24"	6"
FI-SG-185428	18"	54"	28"	10"
FI-SG-185434	18"	54"	34"	14"
FI-SG-185438	18"	54"	38"	14"
FI-SG-187228	18"	72"	28"	10"
FI-SG-187232	18"	72"	32"	14"
FI-SG-187233	18"	72"	33"	14"
FI-SG-187242	18"	72"	42"	16"

NOTE: Suction pipe opening must be greater than 16" from the finished surface of the pool.

Tested to ANSI/ASME 112.19.82017 per section 1404 of the Virginia Graeme Baker Act VGBA Pool and Spa Safety Act



Certified by NSF International 789 N Dixboro Road Ann Arbor, MI 48113-0140

Technical Data Sheet